

COLDFLOW

1050 NW 21st Street Miami, FL 33127

Phone: 305-545-6666 Fax: 305-325-1966

CFX 060 - Specification Data Sheet

Water Loop				Ground Water				Ground Loop			
Cooling		Heating		Cooling		Heating		Cooling		Heating	
Capacity	EER	Capacity	COP	Capacity	EER	Capacity	COP	Capacity	EER	Capacity	COP
60,000	16.0	70,000	4.5	68,000	22.0	58,000	4.1	63,000	17.2	45,000	3.5

FLUID PRESS. DROP

Fluid Flow (GPM)	Pressure Drop	
	(FOH)	(PSIG)
7.5	4.6	2.0
10.1	8.3	3.6
13.2	14.2	6.2
15.0	18.4	8.0
18.8	28.8	12.5

CAPACITY DATA

Performance at:

1,900	CFM
15.0	GPM

COOLING

Entering Fluid Temp (°F)	Entering Air Temp (F)	Total Capacity (MBtuH)	Sensible Capacity (MBtuH)	SHF	Power Input (kW)	Heat of Reject (MBtuH)	EER
50	70 db 61 wb	64.55	42.23	0.65	3.17	73.68	24.1
59		62.22	41.18	0.66	3.43	72.25	21.2
70		59.28	39.78	0.67	3.79	70.54	18.0
86		54.84	37.70	0.69	4.40	68.18	14.0
100		50.87	35.95	0.71	4.97	66.14	11.4
50	75 db 63 wb	66.82	47.60	0.71	3.17	75.96	25.0
59		64.42	46.48	0.72	3.44	74.48	21.8
70		61.41	45.02	0.73	3.80	72.71	18.5
86		56.74	43.42	0.77	4.38	70.00	14.6
100		52.66	41.43	0.79	4.97	67.95	11.7
50	80.6 db 66.2 wb	70.59	52.08	0.74	3.19	79.79	26.2
59		68.00	50.92	0.75	3.58	78.55	22.0
70		64.77	49.65	0.77	3.81	76.09	19.5
86		60.00	47.41	0.79	4.24	72.80	16.0
100		55.49	45.97	0.83	4.98	70.83	12.3
50	85 db 71 wb	76.35	50.74	0.66	3.22	85.66	28.0
59		73.61	49.56	0.67	3.49	83.83	24.6
70		70.11	48.63	0.69	3.84	81.54	20.9
86		64.94	46.19	0.71	4.42	78.36	16.5
100		60.10	44.68	0.74	5.04	75.63	13.2



HEATING

Entering Fluid Temp (°F)	Entering Air Temp (F)	Total Capacity (MBtuH)	Power Input (kW)	Heat of Abs. (MBtuH)	COP
50	60	58.05	4.39	44.74	4.4
60		65.48	4.53	51.70	4.8
68		71.67	4.66	57.46	5.0
80		81.88	4.89	66.87	5.5
50	68	58.00	4.64	43.85	4.1
60		64.01	4.82	49.24	4.3
68		70.00	5.05	54.44	4.5
80		80.57	5.23	64.39	5.0
50	80	55.68	5.19	39.62	3.5
60		62.84	5.37	46.20	3.8
68		69.02	5.53	51.82	4.0
80		78.65	5.80	60.53	4.3

LOW TEMP HEATING

With Antifreeze by ARI-ISO13256-1

Entering Fluid Temp (F)	Entering Air Temp (F)	Total Capacity (MBtuH)	Power Input (kW)	Heat of Abs. (MBtuH)	COP
25	60	41.94	3.92	30.24	3.6
32		45.83	3.98	33.91	3.8
40		50.74	4.07	38.51	4.2
25	68	41.34	4.18	28.73	3.3
32		45.00	4.26	32.14	3.5
40		49.69	4.36	36.50	3.8
25	80	40.41	4.65	26.23	2.8
32		44.14	4.74	29.63	3.0
40		48.47	4.83	33.65	3.3

- Units are subject to change without notice
 - Please contact factory for up-to-date values



UNIT SPECIFICATION DATA SHEET



UNIT MODEL - CFX060 V A-S-C-4
HIGH EFFICIENCY INDOOR WATER-SOURCE HEAT PUMP UNIT

FEATURE INFORMATION

- CONFIGURATION - VERTICAL UNIT-
- CABINET - STAINLESS STEEL, INSULATED EVAP SECTION, ACCESS PANELS
- DRAIN PAN - STAINLESS STEEL, INSULATED.
- CONTROL & SAFETY - SOLID STATE LOCKOUT CIRCUIT (HPS, LPS, COND), LPS BY-PASS TIMER
 HI/LO VOLTAGE PROTECTION, ANTI SHORT AND RANDOM START DELAY
 INTELLIGENT AUTOMATIC RESET, OVERLOAD PROTECTION, FREEZSTAT IN A GEO-THERMO UNIT
- BLOWER/S - CENTRIFUGAL GALVANIZED WHEEL/S, X13 ECM MOTOR
- REF. CIRCUIT/S - THERMAL EXPANSION VALVE/S, FILTER DRIER/S, SIGHT GLASS/ES,
- COND. COIL - COAXIAL COPPER HEAT EXCHANGER- & STEEL JACKET
- EVAP. COIL - COPPER TUBES, ALUMINUM FINS
- REFRIGERANT - R-410A

UNIT PERFORMANCE

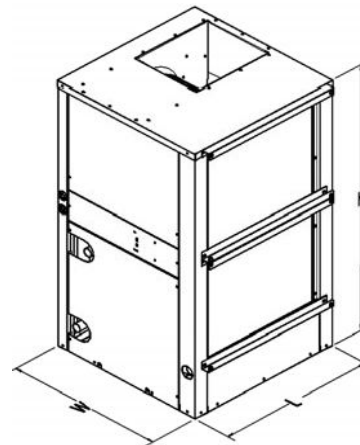
	Water Loop	Ground Water	Ground Loop*
EVAP. COOLING CAPACITY- Btu/Hr	60,000	68,000	63,000
EER	16.0	22.0	17.2
HEATING CAP. - Btu/Hr (HEAT PUMP MODE)	70,000	58,000	45,000
C.O.P (HEAT-PUMP MODE)	4.5	4.1	3.5
ENTERING WATER TEMP. Cooling/Heating- F	86/68	59/50	77/32
WATER FLOW - GPM	15.0	15.0	15.0

- AIR VOLUME - CFM - 1,900
- COIL FACE VELOCITY - FPM - 342
- COIL ENT. AIR TEMP. - °F - COOLING DB/WB: 80.6° F/66.2° F HEATING: 68° F

- BLOWER/S SIZE & QTY - 10"X10" X 1
- EVAP. FAN MOTOR - HP & QTY - 3/4 X 1
- FLA(EA)= 6.0

- NO. OF CIRCUITS / CAPACITY STEPS - 1 / 1
- COMPRESSOR/S TYPE & QTY - SCROLL X 1
- RLA(EA)= 26.4
- LRA(EA)= 134.0

- VOLTAGE RATING - 208-230/1/60
- MIN AMP. / MAX FUSE- AMPS - 39 / 60
- DIMENSIONS L"xW"xH" - 26 X 24 X 43

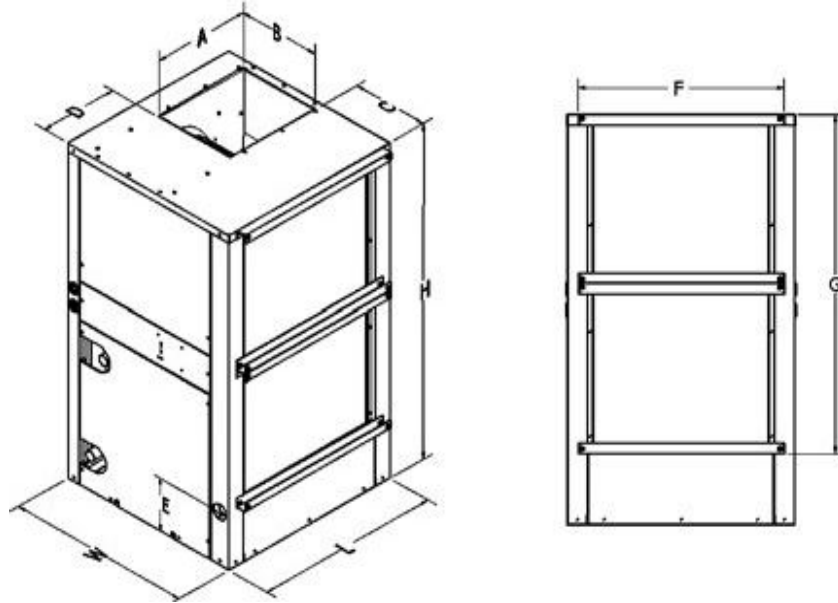


Notes:

1. Unit is subject to change without notice.
 2. Unit is available in various configurations.
 3. Performance ratings are based on ARI/ISO standard conditions
 4. For ratings with conditions other than standard consult Coldflo Inc.
 5. Ground Water and Ground Loop units have to be defined as such when order is placed.
- * With antifreeze

COLDFLOW

Water Source Heat Pumps



Water Source Heat Pump Units - Vertical

Unit Model #	Dimensions - Inches												Air Filters	
	L	W	H	A	B	C	D	E	F	G	Fluid Conn.	Drain Conn.	Nominal Filter Size	Qty
CFX024V	21.5	21.5	39	11.25	9.5	9.00	8.38	6.00	19.50	32.13	3/4	3/4	16x20x1	2
CFX031V	21.5	21.5	39	11.25	9.5	9.00	8.38	6.00	19.50	32.13	3/4	3/4	16x20x1	2
CFX036V	21.5	21.5	39	11.25	9.5	9.00	8.38	6.00	19.50	32.13	3/4	3/4	16x20x1	2
CFX041V	21.5	21.5	39	11.25	9.5	9.00	8.38	6.00	19.50	32.13	3/4	3/4	16x20x1	2
CFX048V	26	24	43	13.00	11.38	11.00	6.50	2.25	24.00	40.00	1	3/4	24x20x1	2
CFX060V	26	24	43	13.00	11.38	11.00	6.50	2.25	24.00	40.00	1	3/4	24x20x1	2

June, 2011

Notes:

1. Units are subject to change without notice.
1. All dimensions \pm 0.25"